



Wildlife Protectors for Bushings & Polymer Arresters

Installation Manual



ATTENTION!

Read and understand the information contained in this instruction manual before installing, operating, and/or maintaining your Celeco[®] wildlife protectors.

The product covered by this manual must be installed, operated, and maintained exclusively by specialized and qualified personnel.

Introduction

Prolec Celeco[®] bushing and polymer surge arrester self-extinguishing guards are manufactured from flame-retardant material and help prevent outages caused by wildlife contact to exposed high voltage bushings and surge arresters on overhead distribution transformers.

Contact Information

For more information about our product and sales network, please visit our website at www.prolec.energy or email us at info@prolec.energy. We are also available by phone at +52 (81) 8030-2000 or 800-437-7653.

TABLE OF CONTENTS

Introduction.....	3
Contact Information	3
1. Initial Inspection	5
2. Handling and Storage.....	5
3. Technical Specifications.....	5
4. General Dimensions	5
5. Installation.....	6

1. Initial Inspection

Upon receipt of Prolec Celeco[®] self-extinguishing guards, carefully inspect the shipping container(s) for any signs of damage. When unpacking, inspect the product thoroughly to rule out any damage that may have occurred during shipping.

2. Handling and Storage

Store the guards in a clean, dry environment to safeguard them prior to installation.

3. Technical Specifications

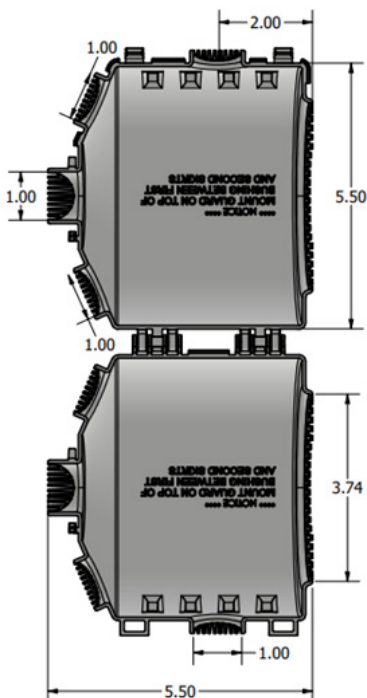
Prolec Celeco[®] self-extinguishing guards comply with IEEE 1656-2010 standard testing.

Self-extinguishing guards:

- Prevent wildlife damage
- Fit all common brands of polymer lightning rods
- Constructed from robust and rigid material
- Made from enhanced polypropylene resin for long life
- Achieve V0 flammability rating, the highest rating for a UL94 test standard

4. General Dimensions

Dimensions are shown below.



5. Installation

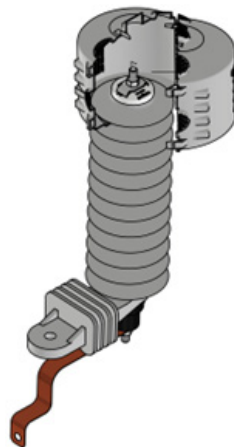
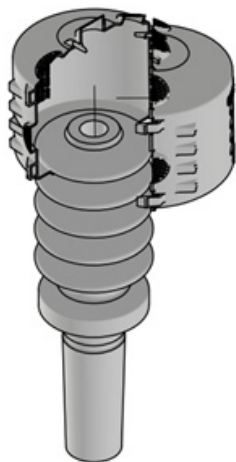
Prolec Celeco[®] self-extinguishing guards install easily due to their innovative snap-fit locking system.

Follow the steps below for secure installation:

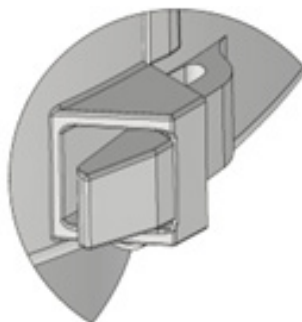
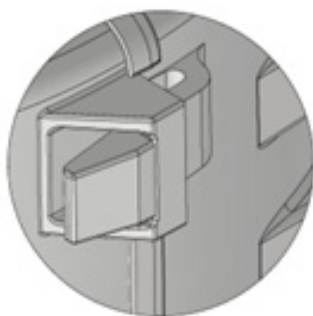
1. Identify the snap-fits in the guard, both the superior and the lateral ones.



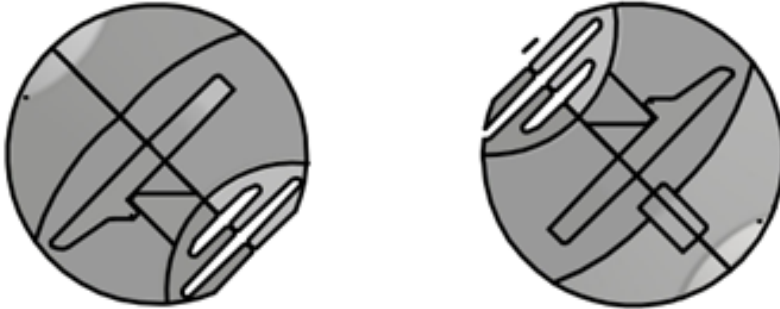
2. Place the guard around the body and under the uppermost shed of the bushing/arrester, verify the incoming cabling and that the components are correctly aligned. Close the guard and proceed to step 3.



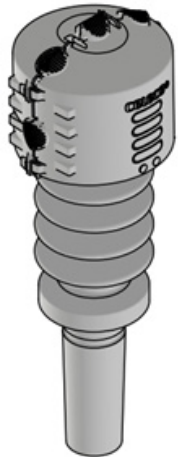
3. Press the lateral snaps, one after another, to secure the lateral side. Ensure snaps inserted into the holders are aligned according to the illustrations below.



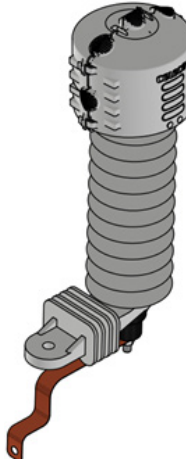
- Align the superior snaps, one after another, to secure the complete system. Ensure insertion of snaps is according to the illustrations below.



- Ensure only one bushing/arrester shed is contained within the guard and that the guard is correctly secured.



Bushing Mounting



Arrester Mounting

- To remove the guard, first release the superior snaps at the same time, then release the lateral snaps at the same time to open the guard.



LOCATIONS

MEXICO

APODACA

Blvd. Carlos Salinas de Gortari km. 9.25
Apodaca, NL 66600 MX
+52 (81) 8030-2000

USA

SHREVEPORT

7000 W Bert Kouns Industrial Loop
Shreveport, LA 71129
+1 (318) 687-6600

WAUKESHA

400 S Prairie Ave.
Waukesha, WI 53186
+1 (262) 547-0121

GOLDSBORO

2701 US Highway 117 South
Goldsboro, NC 27530
+1 (919) 734-8900

DALLAS

9011 Governors Row
Dallas, TX 75247
+1 (214) 637-4434

BRAZIL

CANOAS

Avenida Guilherme Schell, 11500
Canoas, RS 92.420-820
+55 [51] 3477-8686

For more information:
info@prolec.energy

prolec.energy

