

Transformer Components

830 A – 1500 A 1.2 kV Molded Secondary Padmount Bushings

GENERAL

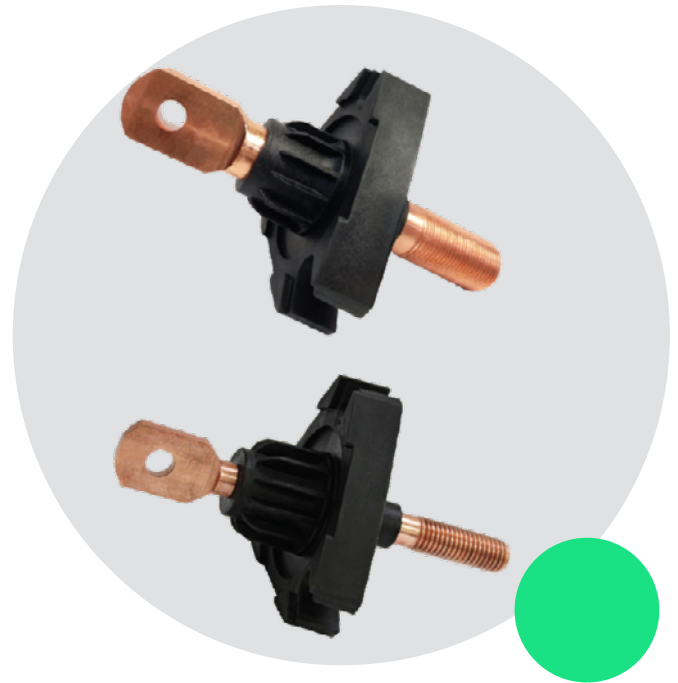
Celeco® molded secondary bushings are designed for external mounting on distribution transformers filled with transformer fluid, including mineral oil, silicone oil, seed-based oil or approved equivalent. They are designed to be used inside of the cubicles of fluid-filled transformers or switchgear. Internal spade/externally threaded stud molded secondary padmount bushings are available with 5/8" and 1" diameter copper studs.

The bushings are provided with an internal copper spade for connection to the low-voltage coil wires and an external threaded copper stud that supports a maximum load weight of 516 lbs at 3.5 in and will mate with industry standard low-voltage connectors. The three-hole mounting configuration is designed for external attachment and allows interchangeability with similarly designed bushings used on many types of padmounted transformers.

These secondary bushings are molded with high temperature nylon (HTN) with exceptional mechanical and electrical stability over a wide range of temperature, humidity, and environmental extremes; it also exhibits good flexibility, allowing it to adapt to the tank wall during internal pressure changes.

INSTALLATION

Bushings are mounted with the internal end completely immersed under oil, clamping studs must be welded around the 1-7/8" hole to accommodate the clamp. The gasket is installed over the bushing shank on to the bushing gasket surface.



The bushing assembly is installed through the tank hole and is placed over the studs against the shoulder flange of the bushing. A plate lock washer and nut are installed on each stud and tightened to 40-60 in lbs torque. Internal leads should be connected to both sides of internal spade for applications requiring currents of 420 A to 830 A for 5/8 inch stud or 835 A to 1,500 A for 1 inch stud.

TECHNICAL DATA

TABLE 1 – Voltage and current rating

Standards voltage class	1.2 kV
AC 60 Hz 1 min withstand voltage	10 kV
Basic impulse voltage level crest	30 kV
Max. current 5/8- inch stud bushing	830 Amp
Max. current 1- inch stud bushing	1,500 Amp

Figure 1: Bushing LV stud 5/8"
Item: B1976

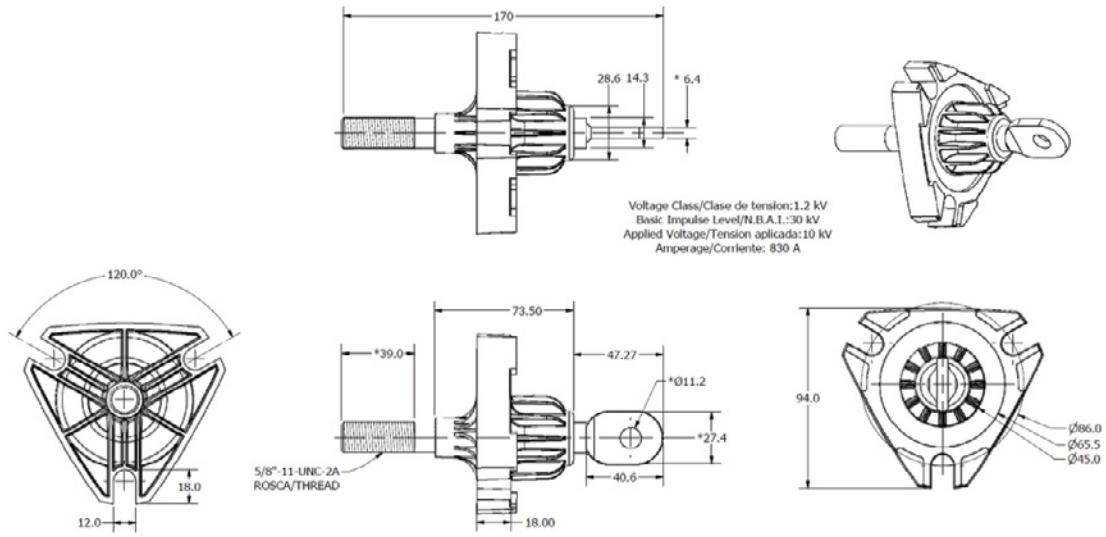


Figure 2: Bushing LV stud 1"
Item: B1978

