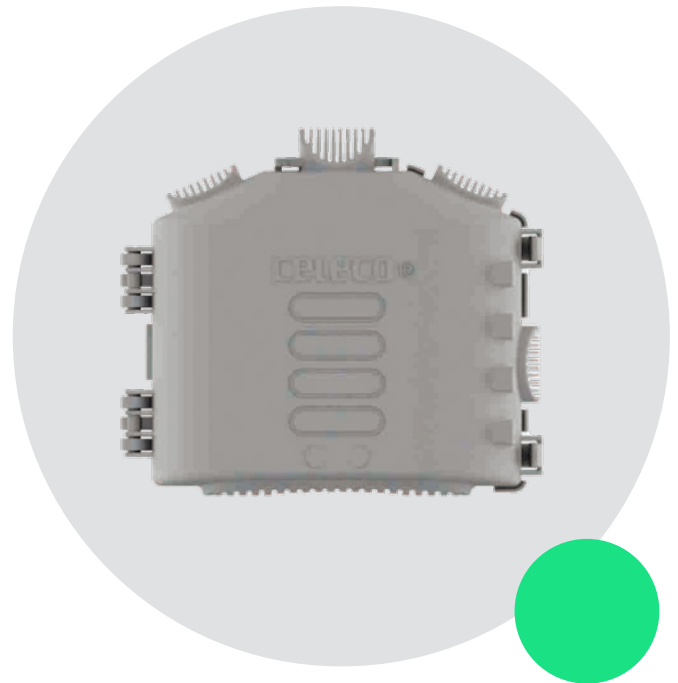


# Wildlife Guards Bushing and Polymer Surge Arresters Self Extinguish Guard

## GENERAL

Celeco® bushing and polymer surge arresters self extinguish guard is manufactured with flame retardant material, prevent outages caused by wildlife contact to exposed high voltage bushings and surge arresters on overhead distribution transformers. This prevention is achieved by covering the high voltage terminals on the bushings and arresters, thus preventing accidental contact by animals. The highest risk points on a bushing or arrester are the high voltage contacts and by covering these contacts, the contact risk is reduced.



## FEATURES

- In accordance up to 25 kV with IEEE 1656™-2010
- Prevents harm to wildlife
- Fits a wide range of porcelain and polymer surge arrester configurations
- Innovative and superior latch and hinges designed for easy lock, no taping is necessary to stay securely closed in place
- Easy installation and retrofit
- Equipment tap wire do not have to be disconnected for installation
- Many flexible cable ports to accommodate several diameters and angles
- Easy grips for handling during installation
- Robust and rigid material
- UV enhanced polypropylene resin for long service life

- Achieves V0 flammability classification, highest UL94 rating
- Flame retardant material

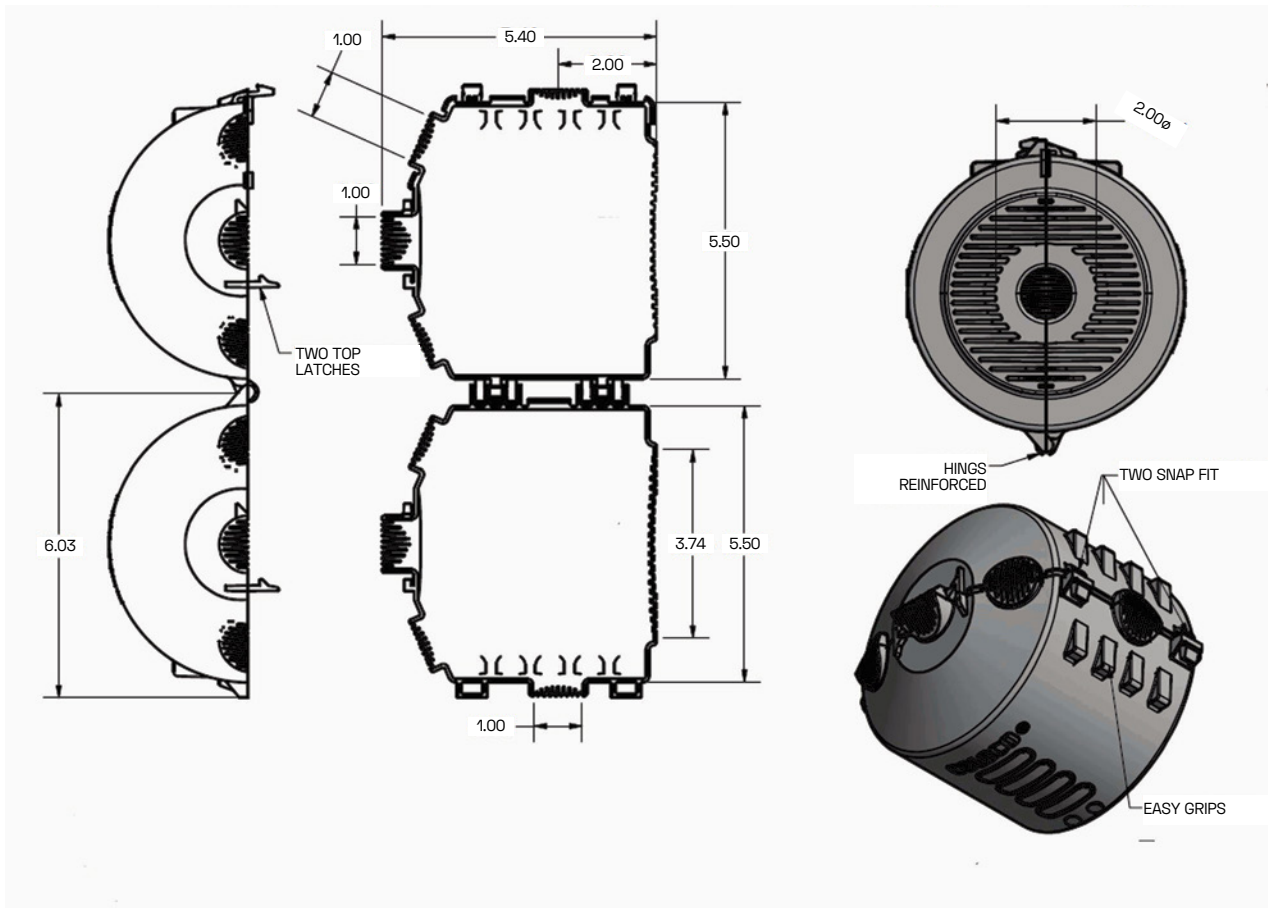
## INSTALLATION

1. We recommend to place the wildlife guard at the top of the bushing or arrester and position between the first and second skirt, or could also be placed on top of the first skirt if the guard is going to be installed in the field, so that the creepage distance is not compromised.
2. Make sure all mechanisms are locked.
3. To remove guard, press latches at same time and open the guard.

## ORDERING INFORMATION

Product name	Part no.	Height	Outside diameter	Base port diameter	Pack size
Bushing and polymer surge arresters self extinguish guard	B1993	5.50"	5.50"	3.75"	75

Figure 1: Bushing and polymer surge arresters self extinguish guard dimensions.



NOTES:

**WILDLIFE GUARD**

- MATERIAL THERMOPLASTIC COPOLYMER POLYPROPYLENE
- UV STABILIZED
- FLAME RATE VO UL 94
- COLOR GRAY #70
- TOLERANCES  $\pm 0.100$ "
- FLAME RETARDANT MATERIAL