

Wildlife Guards

Bushing Self Extinguish Guard

GENERAL

Celeco® bushing self extinguish guard is manufactured with flame retardant material, prevent outages caused by wildlife contact to exposed high voltage bushings and surge arresters on overhead distribution transformers. This prevention is achieved by covering the high voltage terminals on the bushings and arresters, this preventing accidental contact by animals. The highest risk points on a bushing are the high voltage contacts and by covering these contacts, the contact risk is reduced.

FEATURES

- In accordance up to 25 kV with IEEE 1656™-2010
- Prevents harm to wildlife
- Fits a wide range of porcelain configurations
- Innovative and superior latch and hinges designed for easy lock, no taping is necessary to stay securely closed in place
- Easy installation and retrofit
- Equipment tap wire do not have to be disconnected for installation
- Many flexible cable ports to accommodate several diameters and angles
- Optional handwheel can be used to tighten cable without additional tools
- Easy grips for handling during installation
- Robust and rigid material



- UV enhanced polypropylene resin for long service life
- Achieves V0 flammability classification, highest UL94 rating
- Flame retardant material

INSTALLATION

1. Place wildlife guard at the top of the bushing covering the connector.
2. Install a handwheel if apply thru guard open to correct cable tightening.
3. Snap to close all mechanisms. To remove guard, press latches at same time and open protector.

ORDERING INFORMATION

Product name	Part no.	Height	Outside diam	Thread	Pack size
Bushing self extinguish guard	B1994	4.00"	3.00"	Not apply	100
Bushing handwheel self extinguish guard	B1996	4.00"	3.00"	3/8" brass	100

Figure 1: Bushing self extinguish guard.

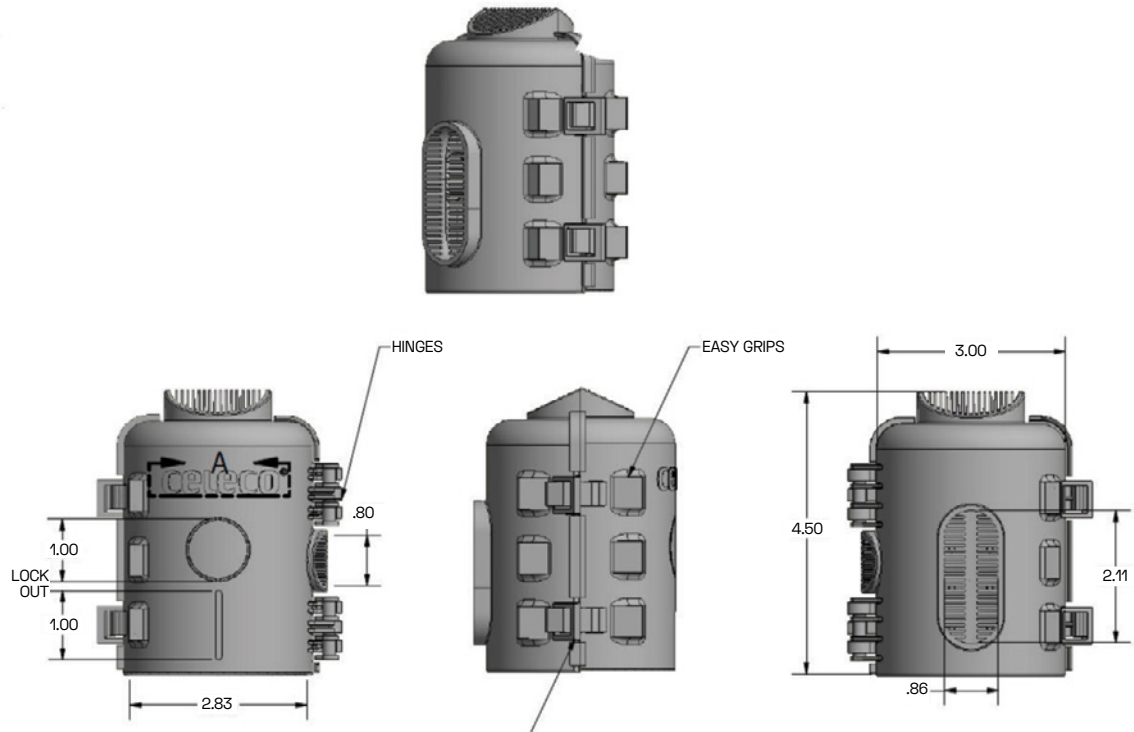
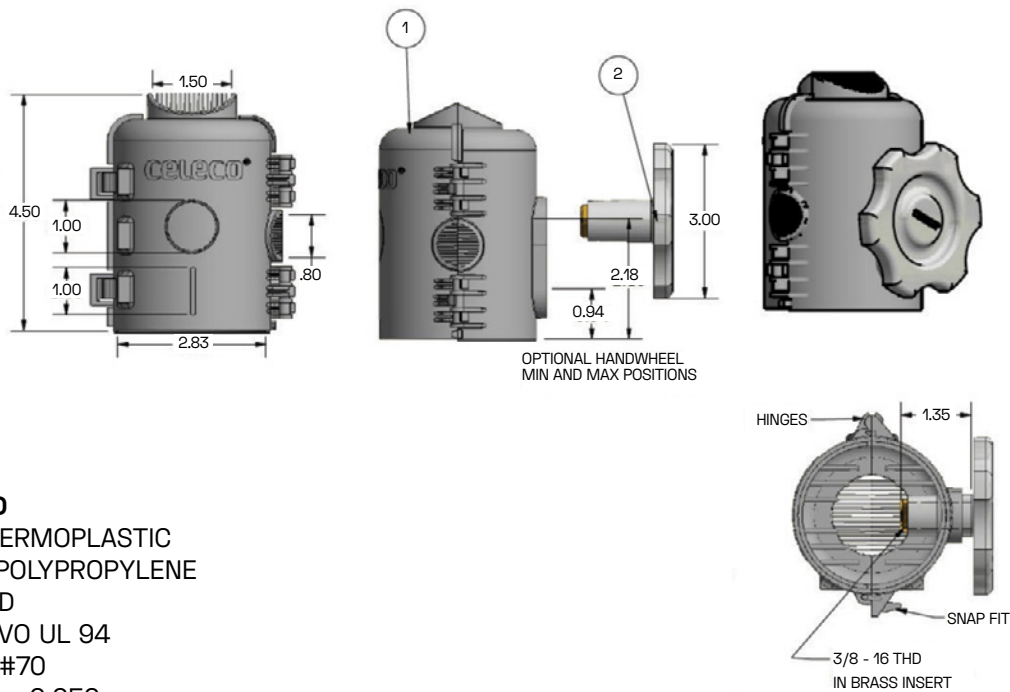


Figure 2: Bushing handwheel self extinguish guard.



NOTES:

WILDLIFE GUARD

- MATERIAL THERMOPLASTIC
- COPOLYMER POLYPROPYLENE
- UV STABILIZED
- FLAME RATE VO UL 94
- COLOR GRAY #70
- TOLERANCES ± 0.050
- FLAME RETARDANT MATERIAL

HANDWHEEL

- MATERIAL THERMOPLASTIC ENGINEERING PBT
- GLASS REINFORCED
- UV STABILIZED
- FLAME RATE VO UL 94
- COLOR GRAY #70
- BRASS 360 INSERT
- TOLERANCES ± 0.050
- FLAME RETARDANT MATERIAL