

# Low Voltage High Current Epoxy Bushing

## GENERAL

Celeco® low voltage high current epoxy bushing are designed complying with most exigent transformers OEM's specifications for the use on distribution transformers manufactured in accordance with the requirements of IEEE standards.

The bushings consist of an epoxy insulating body, conductor stud, internal connection spade and external connection spade, and a piece of clamp. On customers request, we can also supply one piece of seal gasket.

Terminals are equipped with ten or more hole spades that are furnished with 3/8" threaded holes at the end for its installation on transformers with additional support.

## INSTALLATION

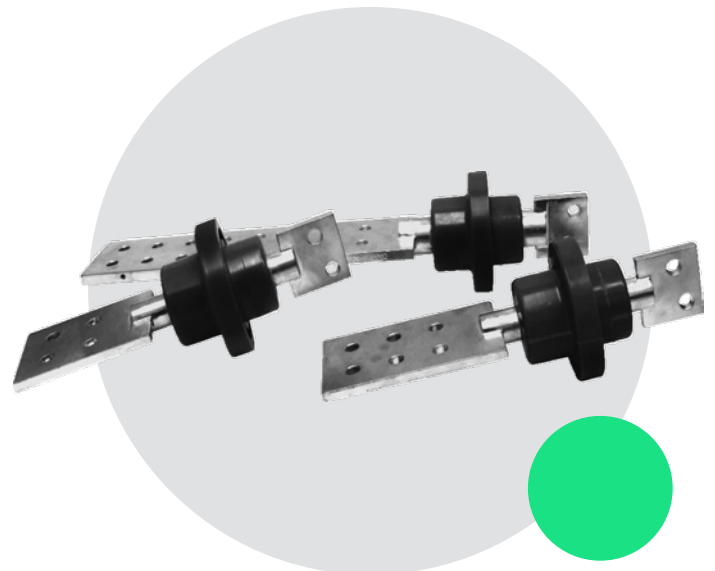
The bushings does not require special tools, is mounted through the transformer sidewall by externally clamping the stainless clamp, furnished with the bushing.

The bushing should be tightened to 80-100 in/lbs torque.

## PRODUCTION TEST

Tests are conducted according to IEEE std C57.12.00 & IEC 60137.

- AC60 Hz 1 minute withstand: 15 kV
- Visual inspection and dimension check
- Electrical conductivity
- Hermeticity
- Basic impulse voltage level



Celeco® epoxy low bushing pass the design tests strictly listed below:

1. Dry power frequency voltage withstand test
2. Dry lightning impulse voltage withstand test
3. Flashover voltage test
4. Temperature rise test
5. Cantilever load withstand test
6. Verification of dimensions
7. Conductivity test
8. Plating thickness repor

## TECHNICAL DATA

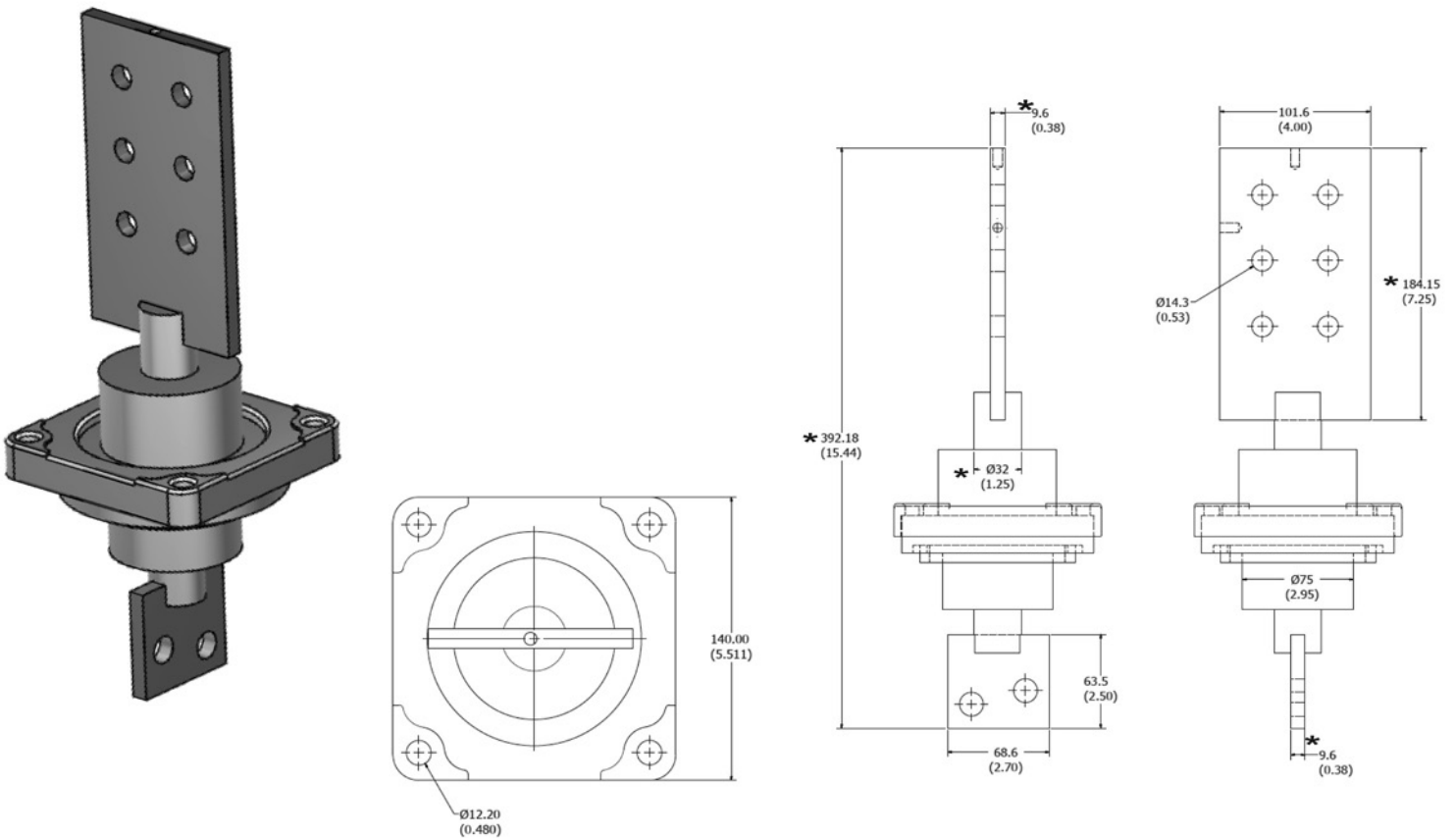
Table 1. Characteristics, voltage and current rating

Standard voltage class	2.5 kV
AC 60 Hz 1 minute dry voltage withstand	15 kV
Basic impulse voltage level	45 kV
Continuous current rating 1.25" stud bushing	2,200 A
Continuous current rating 1.65" stud bushing	3,300 A
Continuous current rating 2.13" stud bushing	4,515 A

We offer a standard capabilities of LV high current epoxy bushing, this items are listed below and are available from stock or with a short lead time.

Description	Holes	Item		
		2200 A	3300 A	4515 A
LV BUSH 2.5kV BIL 45 4H	4	B1876	B1885	B1894
LV BUSH 2.5kV BIL 45 6H	6	B1877	B1886	B1895
LV BUSH 2.5kV BIL 45 8H	8	B1878	B1887	B1896
LV BUSH 2.5kV BIL 45 10H	10	B1879	B1888	B1897
LV BUSH 2.5kV BIL 45 12H	12	B1880	B1889	B1898
LV BUSH 2.5kV BIL 45 14H	14	B1881	B1890	B1899
LV BUSH 2.5kV BIL 45 16H	16	B1882	B1891	B1900
LV BUSH 2.5kV BIL 45 18H	18	B1883	B1892	B1901
LV BUSH 2.5kV BIL 45 20H	20	B1884	B1893	B1902

Figure - Low voltaje bushing 2.5 kV BIL, 2,200 A with 6 holes, dimensions



\* This dimensions may vary depending on amperes and quantity of holes.