



# Arrester Bracket, Self-Extinguish Guard

## Installation Manual



## ATTENTION!

Read and understand the information contained in this instruction manual before installing, operating, and/or maintaining your Prolec Celeco<sup>®</sup> arrester bracket.

The product covered by this manual must be installed, operated, and maintained exclusively by specialized and qualified personnel.

### Introduction

Prolec Celeco<sup>®</sup> arrester bracket, self-extinguish guard is manufactured with flame retardant material, prevent outages caused by wildlife contact to exposed connections on overhead distribution equipment.

### Contact Information

For more information about our product and sales network, please visit our website at [www.prolec.energy](http://www.prolec.energy) or email us at [info@prolec.energy](mailto:info@prolec.energy). We are also available by phone at +52 (81) 8030-2000 or 800-437-7653.

## INDEX

Introduction.....	3
Contact Information .....	3
1. Initial Inspection .....	5
3. Technical Specifications.....	5
4. General Dimensions .....	5
5. Installation.....	6

## 1. Initial Inspection

Upon receipt of Prolec Celeco® arrester bracket, self-extinguish guard, carefully inspect the shipping container for any bumps or any signs of damage. When unpacking the guard, inspect it thoroughly to verify the integrity of the equipment and rule out any damage that may have occurred during shipping.

## 2. Handling and Storage

Keep the equipment in a clean and dry environment if it is necessary to safeguard the equipment prior to installation.

## 3. Technical Specifications

Prolec Celeco® arrester bracket, self-extinguish guard complies with the IEEE 1656-2010™ standard testing.

## 4. General Dimensions

Dimensions are shown in the next figure.

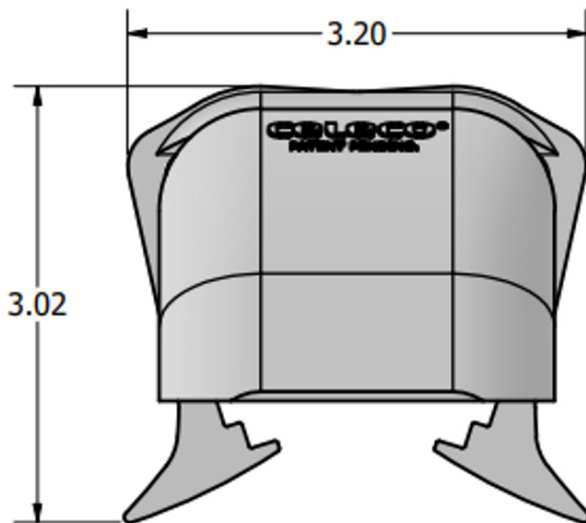


Fig. 1. General Dimensions. Units expressed in inches.

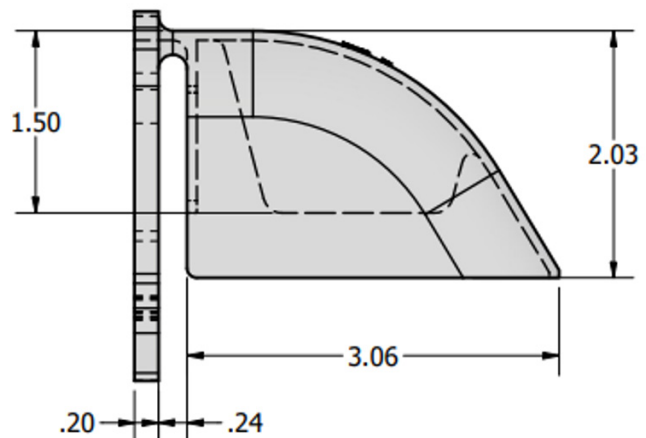


Fig. 2. General Dimensions. Units expressed in inches.

## 5. Installation

Prolec Celeco<sup>®</sup> arrester bracket, self-extinguish guard installation is easy due to their innovative snap-fit locking system.

Follow the next steps to achieve a secure installation:

1. Identify the Snap-fits into the bracket.

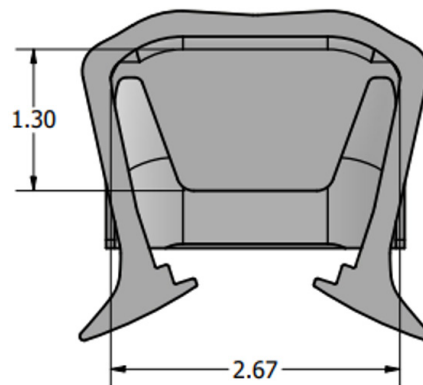


Fig. 3. Snap fit system. Units expressed in inches.

2. Place the guard around the arrester base and insert the snaps in the inferior part of the base as shown in the next figure.

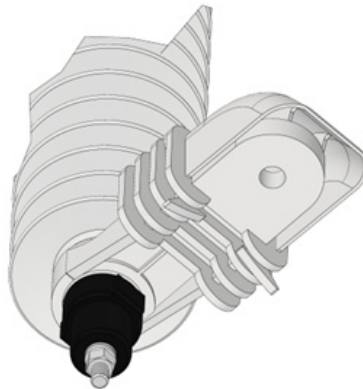


Fig. 4. Snap gripping arrester base.

3. Make sure that the guard is correctly aligned and secured verifying the insertion of the snaps into the base of the arrester bracket.



Fig. 5. Collocation of the guard over the arrester base.

4. To remove the guard, release the snaps at the same time from the base of the arrester.



## LOCATIONS

### MEXICO

#### APODACA

Blvd. Carlos Salinas de Gortari km. 9.25  
Apodaca, NL 66600 MX  
+52 (81) 8030-2000

### USA

#### SHREVEPORT

7000 W Bert Kouns Industrial Loop  
Shreveport, LA 71129  
+1 (318) 687-6600

#### WAUKESHA

400 S Prairie Ave.  
Waukesha, WI 53186  
+1 (262) 547-0121

#### GOLDSBORO

2701 US Highway 117 South  
Goldsboro, NC 27530  
+1 (919) 734-8900

#### DALLAS

9011 Governors Row  
Dallas, TX 75247  
+1 (214) 637-4434

### BRAZIL

#### CANOAS

Avenida Guilherme Schell, 11500  
Canoas, RS 92.420-820  
+55 [51] 3477-8686

For more information:  
[info@prolec.energy](mailto:info@prolec.energy)

[prolec.energy](http://prolec.energy)

