



## Oil Drip Tray

## Installation Manual



## **ATTENTION!**

Read and understand the information contained in this instruction manual before installing, operating, and/or maintaining your Prolec Celeco<sup>®</sup> oil drip tray.

The product covered by this manual must be installed, operated, and maintained exclusively by specialized and qualified personnel.

### **Introduction**

Prolec Celeco<sup>®</sup> oil drip tray is manufactured with flame retardant material, designed to avoid oil dripping at the moment of changing an expulsion fuse (bayonet type) due to maintenance duties.

### **Contact Information**

For more information about our product and sales network, please visit our website at [www.prolec.energy](http://www.prolec.energy) or email us at [info@prolec.energy](mailto:info@prolec.energy). We are also available by phone at +52 (81) 8030-2000 or 800-437-7653.

## **INDEX**

<b>Introduction.....</b>	<b>3</b>
<b>Contact Information .....</b>	<b>3</b>
<b>1. Initial Inspection .....</b>	<b>5</b>
<b>3. Technical Specifications.....</b>	<b>5</b>
<b>4. General Dimensions .....</b>	<b>5</b>
<b>5. Installation.....</b>	<b>6</b>

## 1. Initial Inspection

Upon receipt of Prolec Celeco® oil drip tray, carefully inspect the shipping container for any bumps or any signs of damage. When unpacking the guard, inspect it thoroughly to verify the integrity of the equipment and rule out any damage that may have occurred during shipping.

## 2. Handling and Storage

Keep the equipment in a clean and dry environment if it is necessary to safeguard the equipment prior to installation.

## 3. Technical Specifications

Prolec Celeco® oil drip tray complies with the IEEE 1656-2010™ standard testing.

## 4. General Dimensions

Dimensions are shown in the next figure.

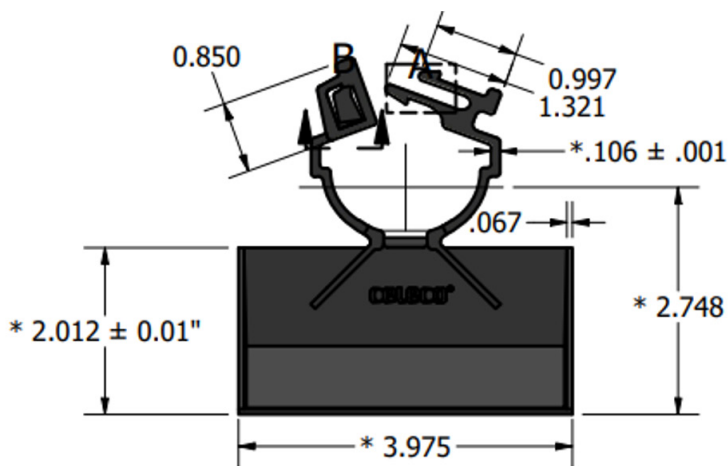


Fig. 1. General Dimensions. Units expressed in inches

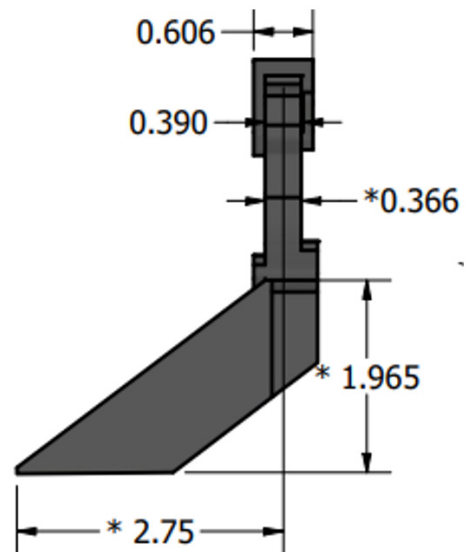


Fig. 2. General Dimensions. Units expressed in inches.

## 5. Installation

Prolec Celeco® oil drip tray installation is easy due to their innovative snap-fit locking system.

Follow the next steps to achieve a secure installation of the oil drip tray:

1. Identify the Snap-fits in the tray.

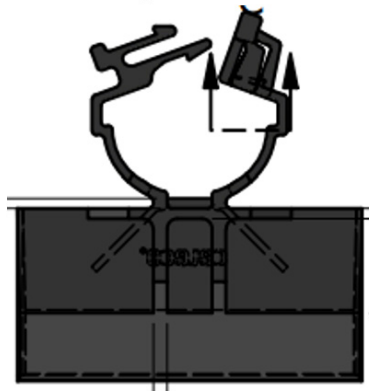


Fig. 3. Snap fit system.

2. Place the tray around the fuse holder upper base and secure the tray by inserting the snaps into the holders.

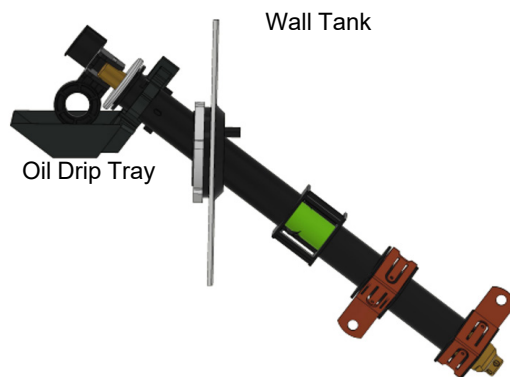


Fig. 4. Oil drip tray installed on bayonet fuse holder assembly.

3. Make sure that the tray is correctly aligned and secured verifying the insertion of the snaps into the holders according to the next figure.

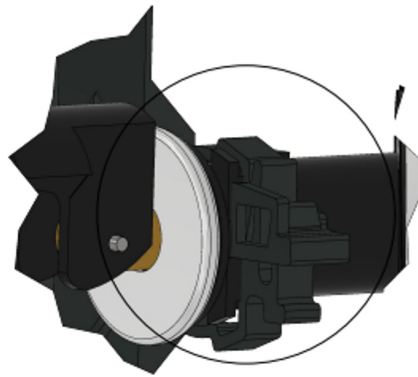


Fig. 4. Oil drip tray snaps gripping.

4. To remove the tray, release the snaps at the same and release the assembly.



## LOCATIONS

### MEXICO

#### APODACA

Blvd. Carlos Salinas de Gortari km. 9.25  
Apodaca, NL 66600 MX  
+52 (81) 8030-2000

### USA

#### SHREVEPORT

7000 W Bert Kouns Industrial Loop  
Shreveport, LA 71129  
+1 (318) 687-6600

#### WAUKESHA

400 S Prairie Ave.  
Waukesha, WI 53186  
+1 (262) 547-0121

#### GOLDSBORO

2701 US Highway 117 South  
Goldsboro, NC 27530  
+1 (919) 734-8900

#### DALLAS

9011 Governors Row  
Dallas, TX 75247  
+1 (214) 637-4434

### BRAZIL

#### CANOAS

Avenida Guilherme Schell, 11500  
Canoas, RS 92.420-820  
+55 [51] 3477-8686

For more information:  
[info@prolec.energy](mailto:info@prolec.energy)

[prolec.energy](http://prolec.energy)

